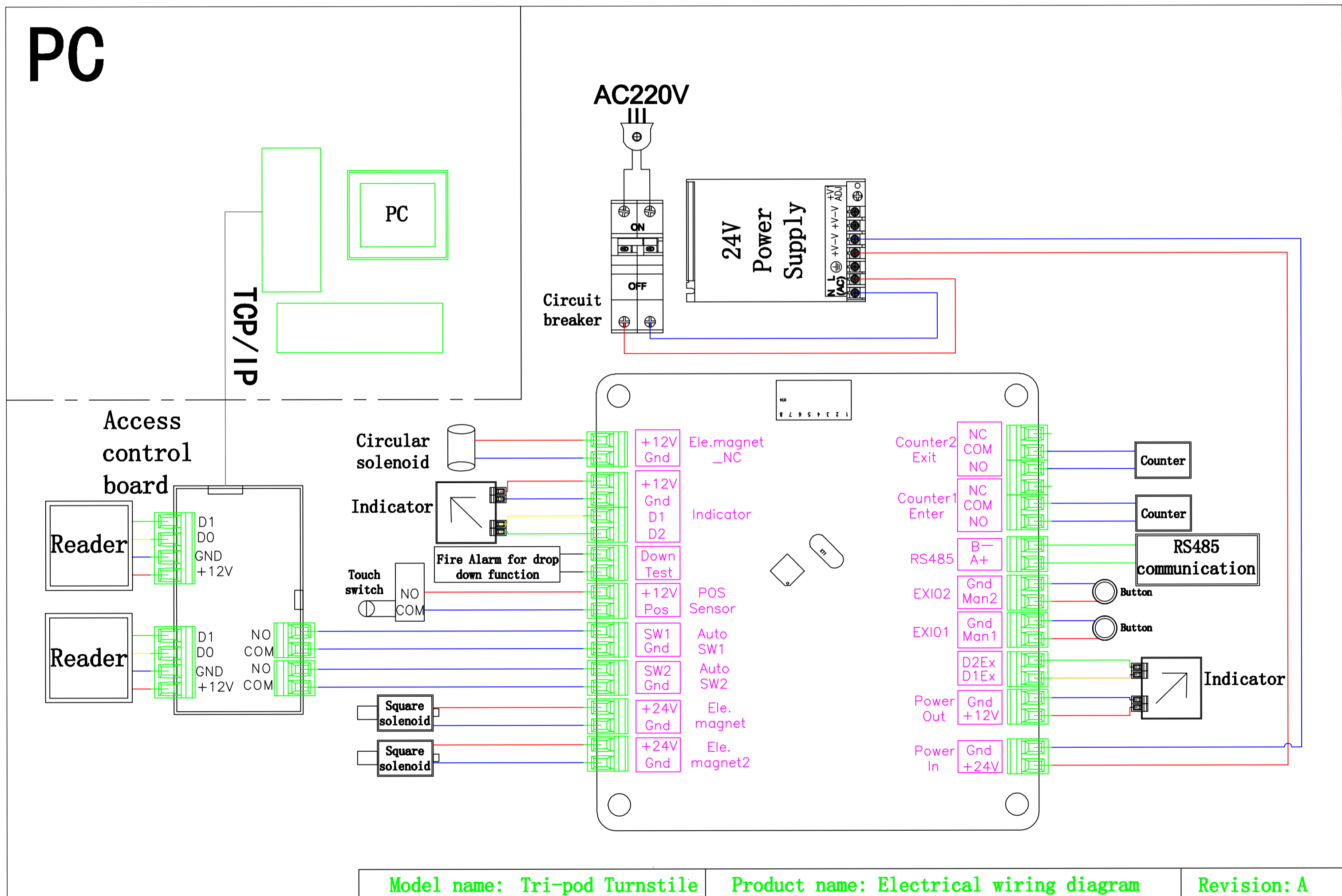


Tripod Turnstile Smart Controller wiring diagram



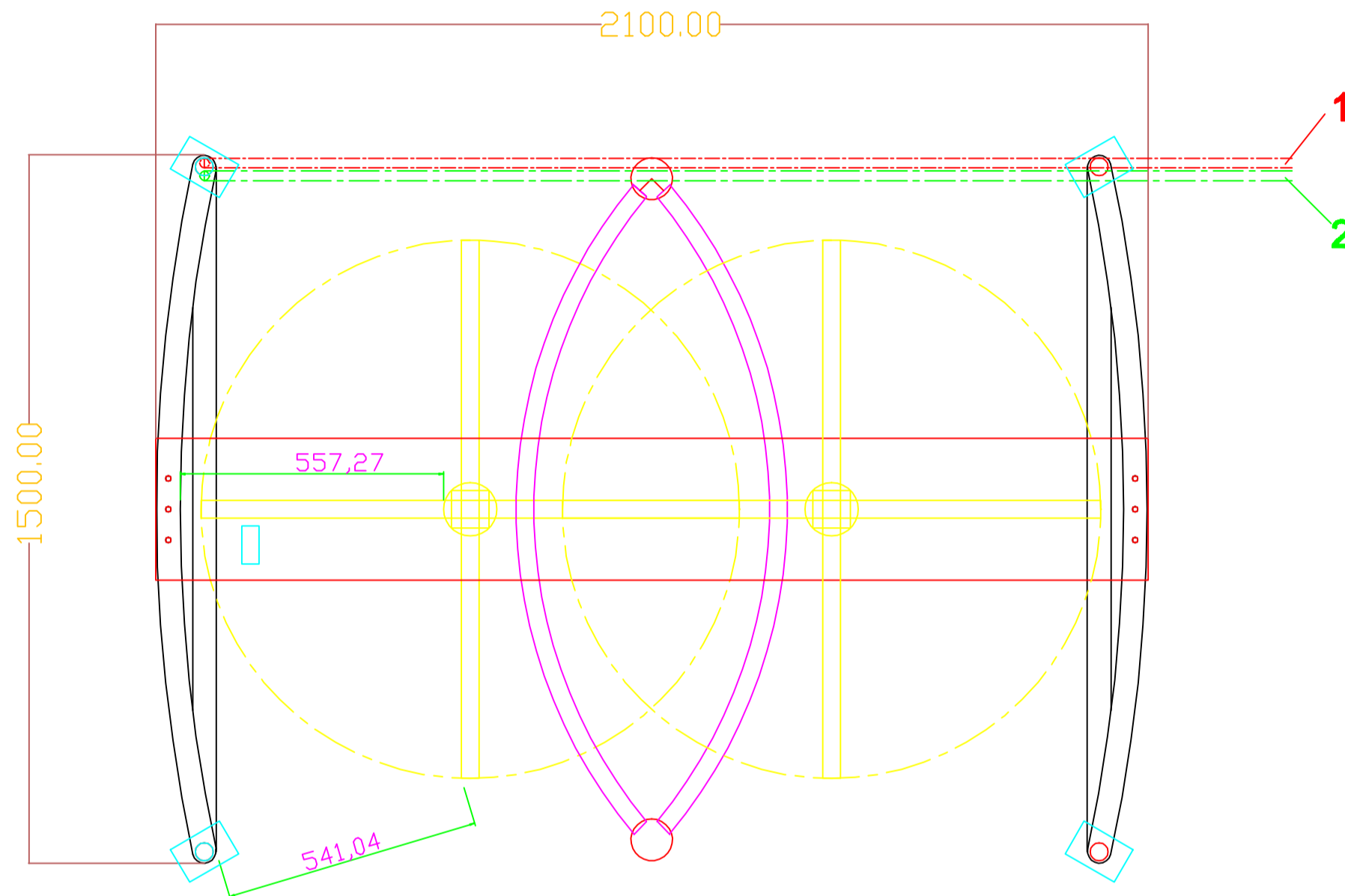
Model name: Tri-pod Turnstile

Product name: Electrical wiring diagram


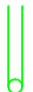

Revision: A

FHT-TL-249 DIM

Civil Dimension



Installation Manual:

- 1  The $\text{\O}25\text{mm}$ PVC tube for AC 220V or AC 110V Power wire (3 X $\text{\O}2.0\text{mm}$).
- 2  The tube for RS485 wire (2 X $\text{\O}0.5\text{mm}$) , TCP/IP wire (8 core) , Manually opening the turnstile wire (4 X $\text{\O}0.3\text{mm}$) . The signal wire length should be less than 100m .
- 3  It is PCB board part .